

# PRODUCT INFORMATION PACKET



Model No: 122338.00  
Catalog No: 122338.00  
3 HP Variable Speed Motor, 3 phase, 1800 RPM, 230/460 V, 145T Frame, TEFC  
2000:1 With Encoder Provision Motors



Regal and Leeson are trademarks of Regal Beloit Corporation or one of its affiliated companies.  
©2019 Regal Beloit Corporation, All Rights Reserved. MC017097E





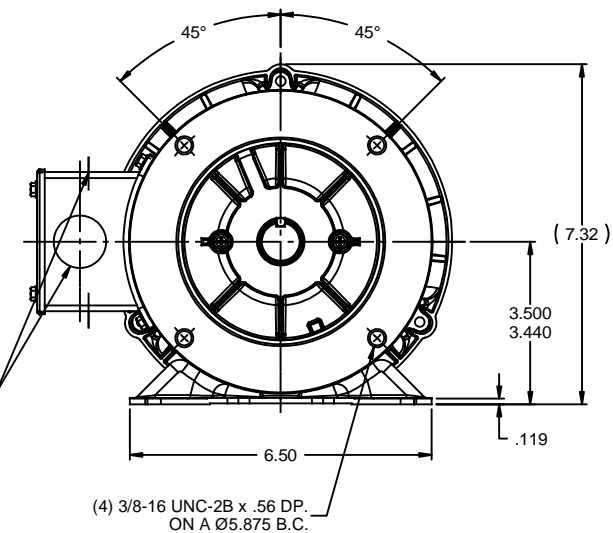
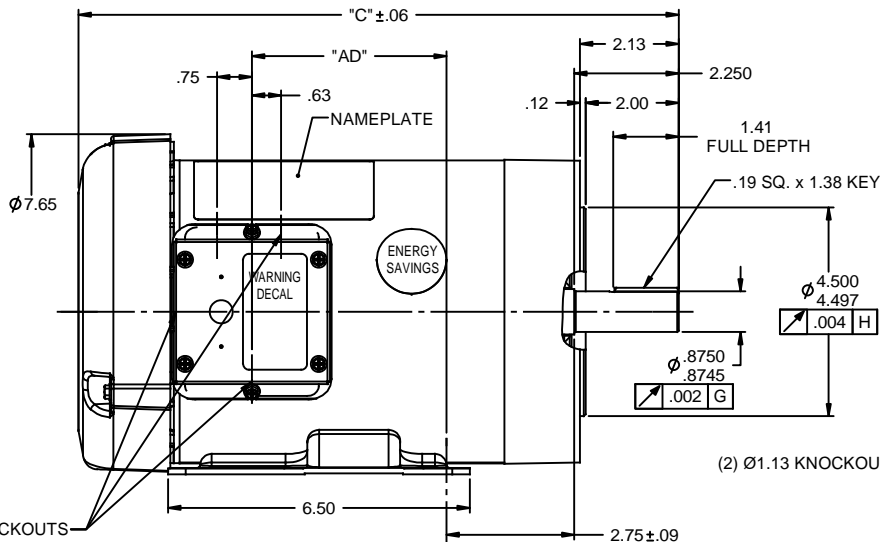
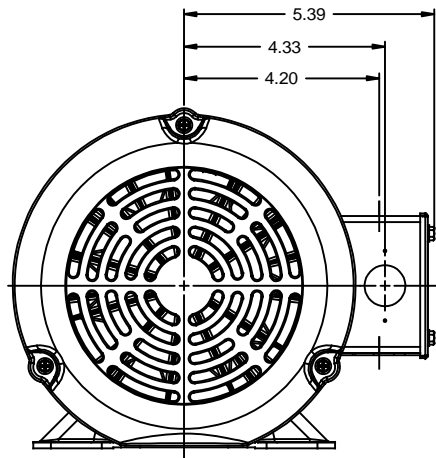
### Nameplate Specifications

Output HP	<b>3 Hp</b>	Output KW	<b>2.2 kW</b>
Frequency	<b>60 Hz</b>	Voltage	<b>230/460 V</b>
Current	<b>8.6/4.3 A</b>	Speed	<b>1725 rpm</b>
Service Factor	<b>1</b>	Phase	<b>3</b>
Efficiency	<b>82.5 %</b>	Power Factor	<b>79</b>
Duty	<b>Continuous</b>	Insulation Class	<b>H</b>
Design Code	<b>INV</b>	KVA Code	<b>J</b>
Frame	<b>145T</b>	Enclosure	<b>Totally Enclosed Fan Cooled</b>
Thermal Protection	<b>No</b>	Ambient Temperature	<b>40 °C</b>
Drive End Bearing Size	<b>6205</b>	Opp Drive End Bearing Size	<b>6203</b>
UL	<b>Recognized</b>	CSA	<b>Y</b>
CE	<b>N</b>	IP Code	<b>43</b>

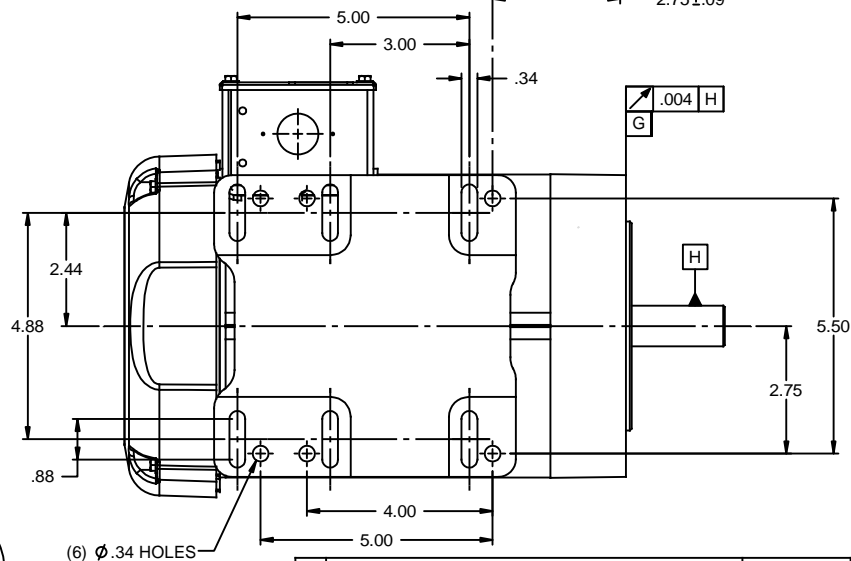
### Technical Specifications

Electrical Type	<b>Squirrel Cage Inverter Duty</b>	Starting Method	<b>Inverter Only</b>
Poles	<b>4</b>	Rotation	<b>Reversible</b>
Resistance Main	<b>0 Ohms</b>	Mounting	<b>Rigid Base</b>
Motor Orientation	<b>Horizontal</b>	Drive End Bearing	<b>Ball</b>
Opp Drive End Bearing	<b>Ball</b>	Frame Material	<b>Rolled Steel</b>
Shaft Type	<b>T</b>	Overall Length	<b>13.92 in</b>
Frame Length	<b>8.00 in</b>	Shaft Diameter	<b>0.875 in</b>
Shaft Extension	<b>2.13 in</b>	Assembly/Box Mounting	<b>F1 ONLY</b>

This is an uncontrolled document once printed or downloaded and is subject to change without notice. Date Created:01/11/2019

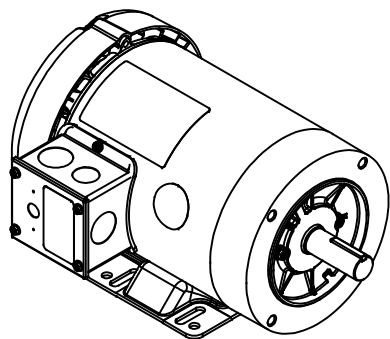


(3) Ø.88 KNOCKOUTS



NOTE:  
1) GASKETS THROUGHOUT

DASH NO.	"C"	"AD"
600	11.92	3.19
650	12.42	3.69
700	12.92	4.19
750	13.42	4.69
800	13.92	5.19



TOLERANCES UNLESS SPECIFIED		LEESON ELECTRIC MOTORS GEARMOTORS AND DRIVES		DRAWN GRB 12/05/08	
DEC	INCHES	TITLE OUTLINE - 140TC/56HCZ FRAME TEFC - RIGID "C" FACE		CHK DJ 12/05/08	
X	±.1			APPR DJ 12/05/08	
.XX	±.03			SCALE 3:8	
.XXX	±.005			REF 028566	
.01	ADDED BOTTOM VIEW	PG 5/19/2010	MATL	FMF 120485.00	
REVISION		BY & DATE	CHK ANG ±1/2°	FINISH GENERAL PURPOSE	
THIRD ANGLE PROJECTION		RFP 12/05/08	PREV	SIZE B	DRAWING NO 028911
		NETWORK FILE NAME 028911			REV 01